

- Wear resistant
- Low noise
- Lightweight
- Stacks easily



With unique 'Wear Ribbing'

GEDA-RUBBISH-CHUTE

GEDA RUBBISH CHUTE



A fully tested galvanised steel chute fixing frame ensures the chute is safely secured to the scaffolding.



A special frame using ballast weights and incorporating verge protection allows use of chutes on flat roofs.



The practical polypropylene dump hopper has an opening of 76cm in width.



The generous dump hopper width allows easy emptying of wheelbarrows.

During the development of the **GEDA** rubbish chute system experiences of recent years have been rigorously applied to practice. The result: we can now offer you the **GEDA** wear-resistant chute for building rubbish in plastic.

It is very quiet in use also light and therefore easy to transport and quick to erect. As a result of the most up to date manufacturing methods coupled to the use of only top quality materials **GEDA** are able to offer you the best rubbish chutes available on the market.

*Special clamps designed for window openings or parapet walls permit use of the **GEDA** rubbish chute when scaffolding is not used. Ideal for refurbishment works.*





The perfect rubbish chute system from **GEDA**

- complete with accessories
- fixing for all situations
- perfected engineering
- recognised quality
- tested for use up to 40 metres in height



Guide ring allows the chute to be directed into a container and fixed in position with ropes attached.



A special purpose designed hand winch is available for rapid erection and dismantling of the chute.



Dust protection collars eliminate dust nuisance from the chute and skip covers help retain waste material in the container.



GEDA have thought of everything: the pitched roof frame provides a perfect solution for re-tiling work.



An automatic mechanical brake built into the winch ensures safe operation.



Chute branch sections are ideal for multi-level applications.



Galvanised steel chute liners protect the areas subject to severe wear and stress prolonging the chute life even further.



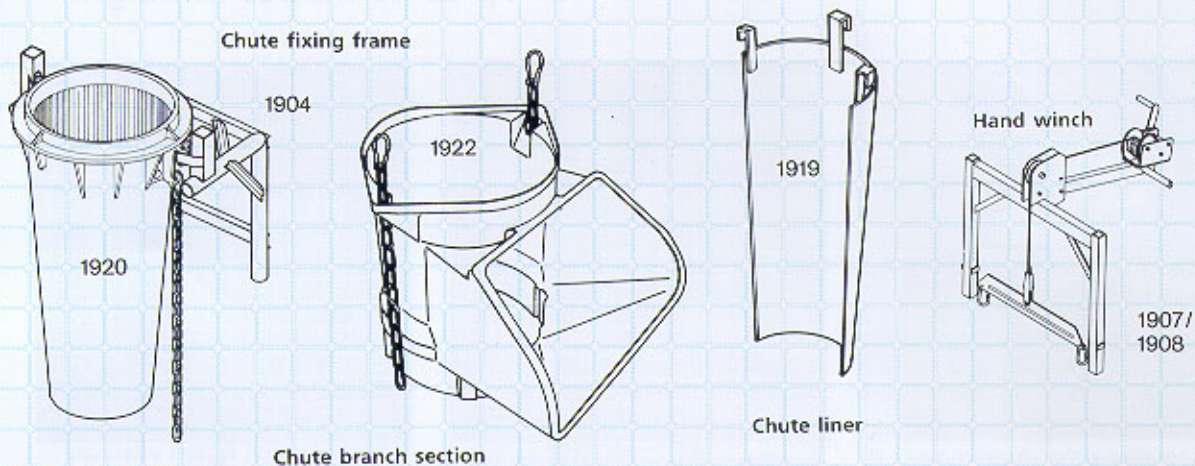
The **GEDA** rubbish chute system is well thought out and designed to the smallest detail. Stacking ribs ensure chute sections do not stick together during storage.

Suspension brackets and captive support chains are 4 mm in dia. and fully galvanised.

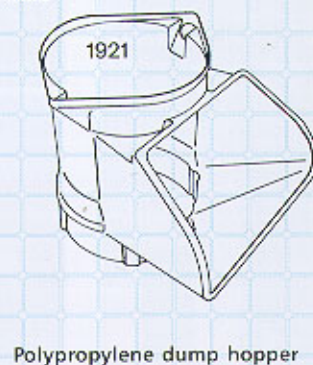
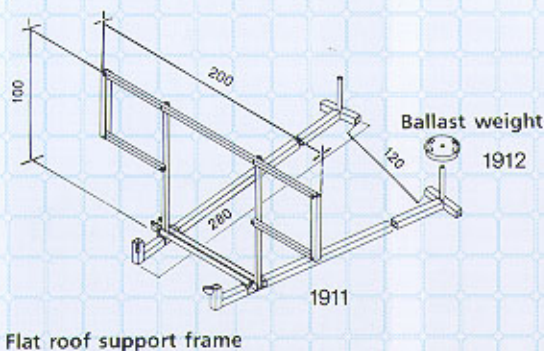
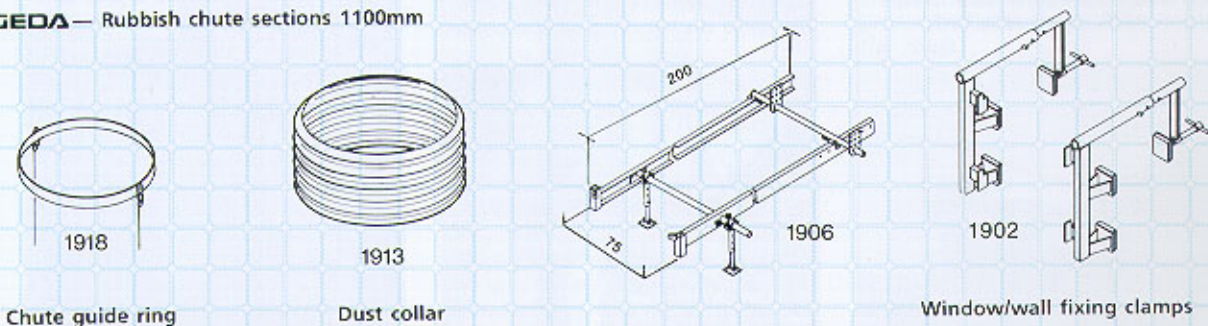
All components are fully tested for the rigours of the construction industry.

GEDA - RUBBISH CHUTE

GEDA RUBBISH CHUTE



GEDA — Rubbish chute sections 1100mm



Technical Data

Chute length: 110 cm
 Working length: 100 cm
 Internal dia.: max. 50/min. 40 cm
 Weight with chains: 11 kg

Accessories

Chute fixing frame: 11 kg
 Hand winch 20/40 m: 18/21 kg
 Polypropylene dump hopper: 9 kg
 Chute branch section: 17 kg
 Set of window/wall fixing clamps: 18 kg
 Pitched roof frame: 35 kg
 Flat roof support frame: 33 kg (+ ballast)
 Skip cover: 600 x 300 cm
 Dust collar, guide ring
 Chute liner: 8 kg

All measurements in cm.

In the interest of further design development we reserve the right to change specifications without prior notice.